

W1C

Wall Mount with Retractable Folding Arm

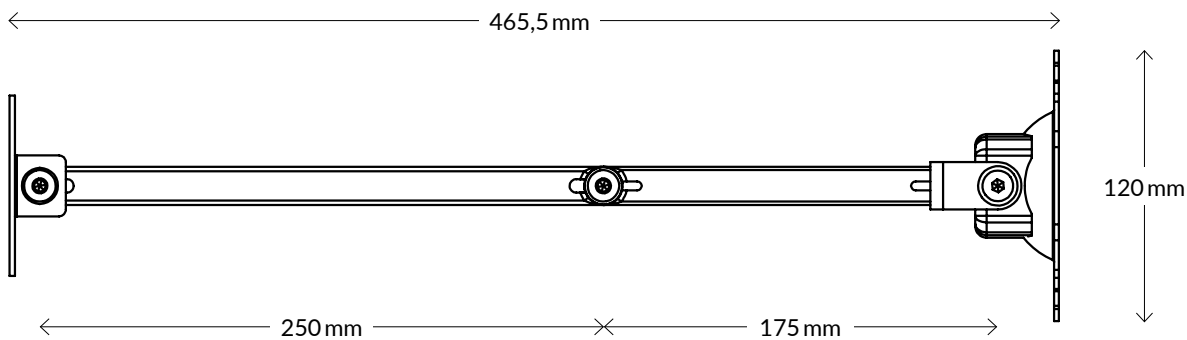
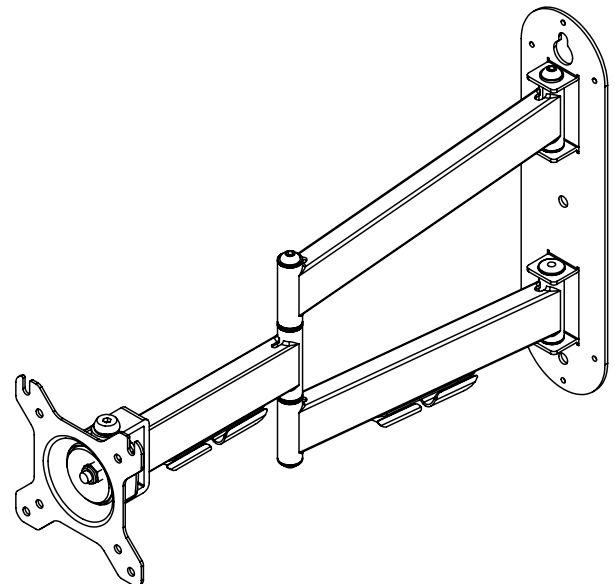
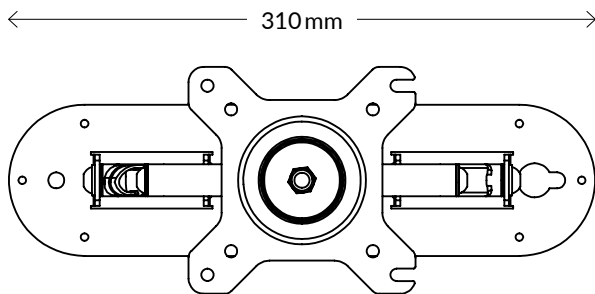


General Specifications

Supported Screen Size	≤ 43" / ≤ 49" Ultrawide Monitor
VESA Standard	VESA 75 (75x75) ; VESA 100 (100x100)
Maximum Monitor Weight	18 kg / 39.6 lbs
Rotation	360°
Swivel	180°
Tilt	+/-15°
Distance between Wall and Back of Monitor	39-469 mm
Material	Steel, Aluminum Alloy ADC 12
Weight	2.33 kg
Colour	Matt Black

Shipping Information

Box Dimensions	340 (L) x 310 (W) x 47 (H) mm
Gross Weight	2.35 kg
SKU	AEMNT00058A
EAN	4895213701914
UPC	872767009837



Designed by ARCTIC

All materials are compatible with RoHS requirements



Product Information



Manual